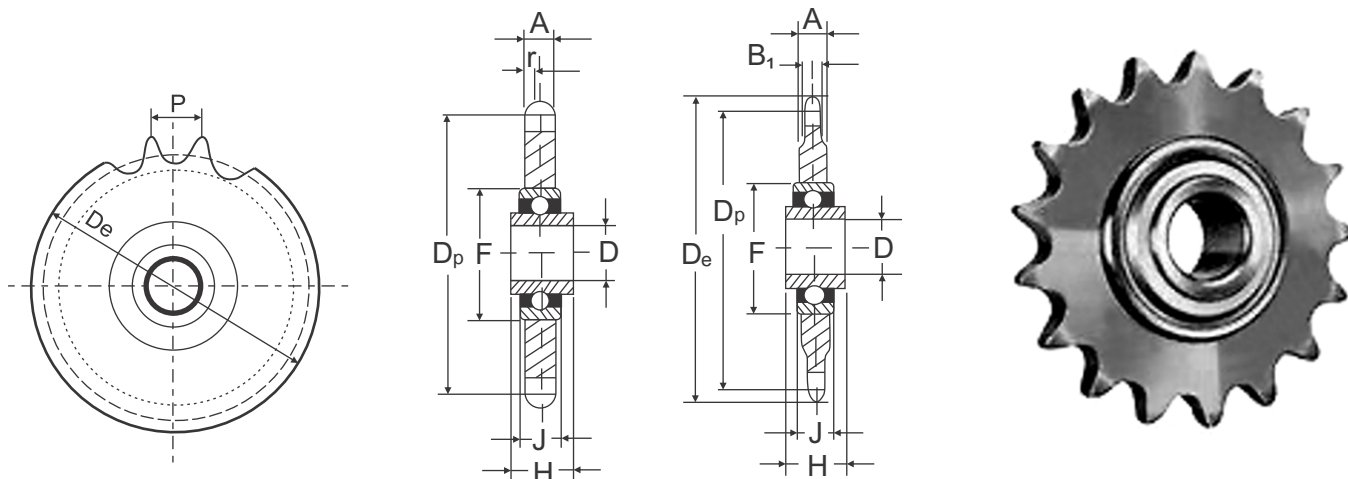


## دنده خورشیدی

دنده شانه ای توام با بلبرینگ



Part No.	Z	P	De	Dp	B1	A	D	F	H	J
PC05A23	23	8 x 1/8"	62.0	58.75	2.8	7	16 <sup>+0.130</sup> <sub>+0.260</sub>	40	18.3	12
PC06A21	21	3/8" x 7/32"	68.0	63.91	5.3	7	16 <sup>+0.130</sup> <sub>+0.260</sub>	40	18.3	12
PC081A18	18	1/2" x 1/8"	78.9	73.14	3	7	16 <sup>+0.130</sup> <sub>+0.260</sub>	40	18.3	12
PC084A18	18	1/2" x 3/16"	78.9	73.14	4.5	7	16 <sup>+0.130</sup> <sub>+0.260</sub>	40	18.3	12
PC08A16	16	1/2" x 5/16"	69.5	65.10	7.2	7.2	16 <sup>+0.130</sup> <sub>+0.260</sub>	40	18.3	12
PC08A18	18	1/2" x 5/16"	77.8	73.14	7.2	7.2	16 <sup>+0.130</sup> <sub>+0.260</sub>	40	18.3	12
PC10A17	17	5/8" x 3/8"	93.0	86.30	9.1	9.1	16 <sup>+0.130</sup> <sub>+0.260</sub>	40	18.3	12
PC12A15	15	3/4" x 7/16"	99.8	91.63	11.1	11.1	16 <sup>+0.130</sup> <sub>+0.260</sub>	40	18.3	12
PC16A12	12	1" x 17.02	109.0	98.14	16.2	16.2	20 <sup>+0</sup> <sub>-0.010</sub>	47	17.7	14
PC20A13	13	1"1/4 x 3/4"	147.8	132.65	18.5	18.5	20 <sup>+0</sup> <sub>-0.010</sub>	52	21	15

